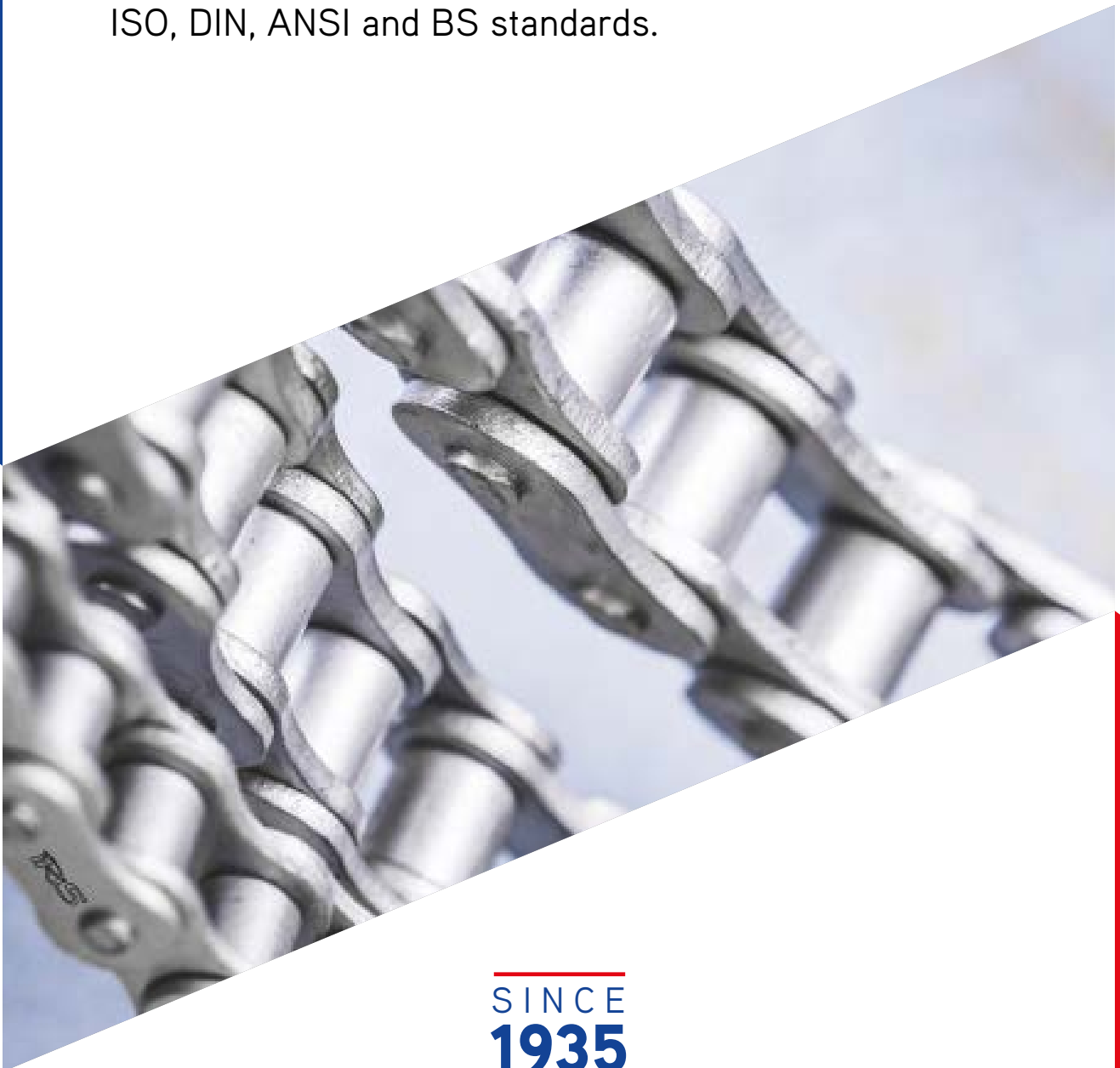


Standard Roller Chains

IRIS standard roller chains are designed and manufactured to cover and surpass ISO, DIN, ANSI and BS standards.



SINCE
1935

Standard Roller Chains

IRIS Standard precision roller chains are designed and manufactured to cover and surpass ISO, DIN, ANSI and BS requirements. Commonly found in a variety of industrial drive systems, IRIS chains are engineered and built for high performance even in the toughest applications, ensuring a long service life.

IRIS conveyor chains offer the user the benefits of parallel and synchronous running, extremely precise positioning, quiet running and a significantly higher breaking resistance than the norm. As a result, downtime is minimized and there is a significant reduction of operating costs.

Our standard lubrication ensures resistance to a temperature range from -5° C to +120° C: a distinct lube can be applied at request for applications with temperatures of down to -30 °C to 250 °C.



HIGHLIGHTS

- ✓ All IRIS Standard roller chains cover and surpass the requirements of ISO 606.
- ✓ Initial stretching contributes to a higher fatigue strength.
- ✓ All components are heat-treated according to their size and application.
- ✓ Shot peening is applied to precision plates for higher resistance.
- ✓ Pins' surface is smooth and wear-resistant.
- ✓ Bushes are perfectly cylindrical.
- ✓ Special initial lubricant is applied to increase resistance.

Iris Chains options

With a wide knowledge of the European market demand, all of our main products are available in stock both for British Standards and those by ANSI.

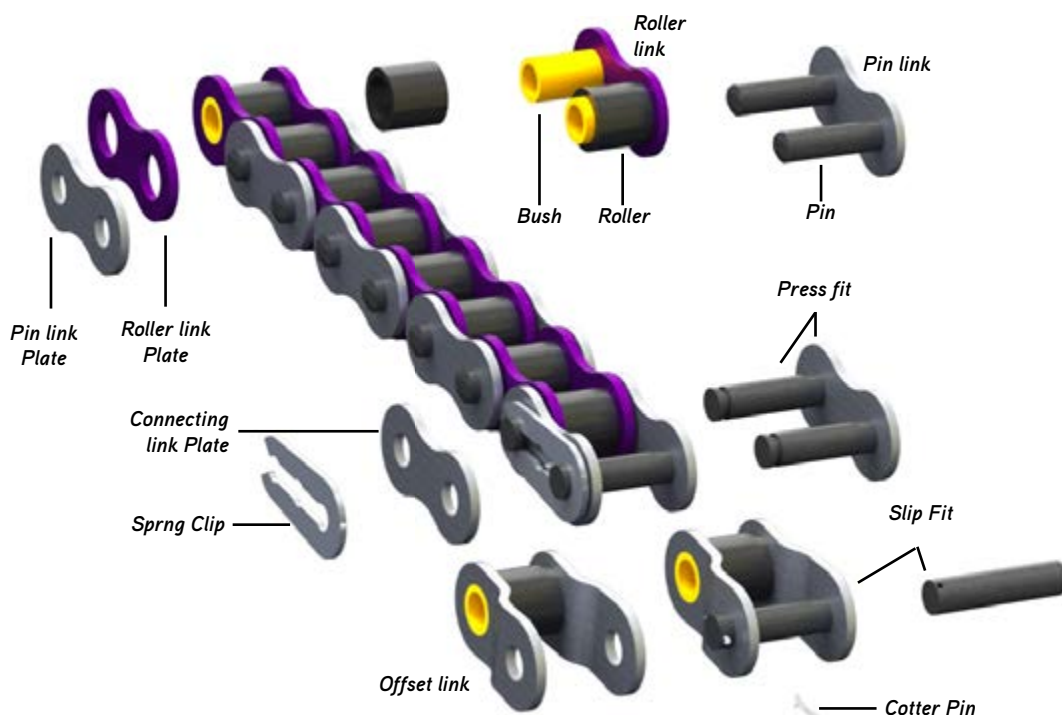
From transmission chains to chains with attachments for transport applications, and from corrosion-resistant versions to lube-free solutions, IRIS cover the most severe clients requirements, and has a wide range of products for each application.



CHAIN STRUCTURE AND CONNECTING LINKS

IRIS Standard roller chains are able to transmit mechanical power in a highly efficient and adjustable way for a great variety of industrial

applications. The illustration above shows in detail the structure and its parts, as well as the connecting links that held the components.



INDUSTRIES

- ✓ Industrial handling
- ✓ End of line food packaging machinery
- ✓ Pharmaceutical sector
- ✓ Confectionery production plants
- ✓ Pasta production and bakery machinery
- ✓ Painting systems
- ✓ Wood industry machinery
- ✓ Ceramic systems
- ✓ Many more industrial applications

SERVICES

Many references **available in stock.**

Specific product on request.

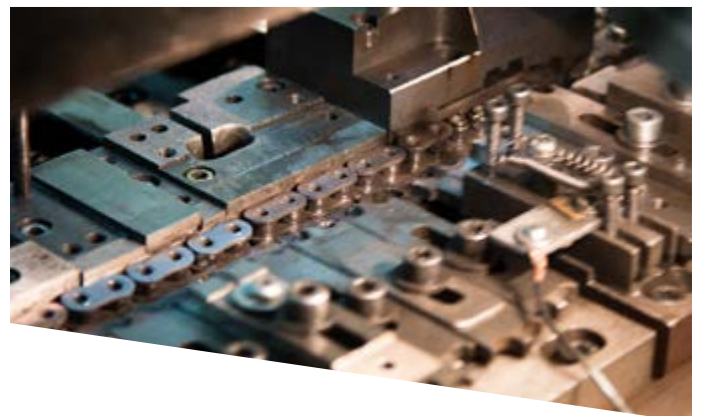
Matched pairs on request for chains working in parallel.

Chains of any length.

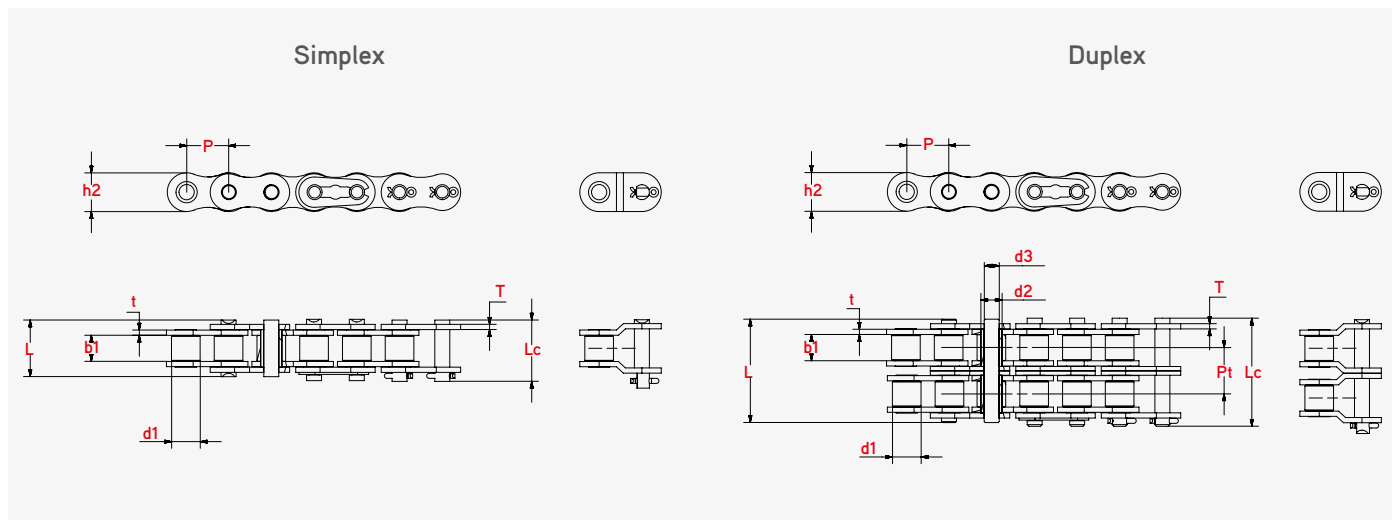
Technical assistance.

Initial treatment with standard lubrication for higher resistance.

Special lube at request for extreme temperature conditions.



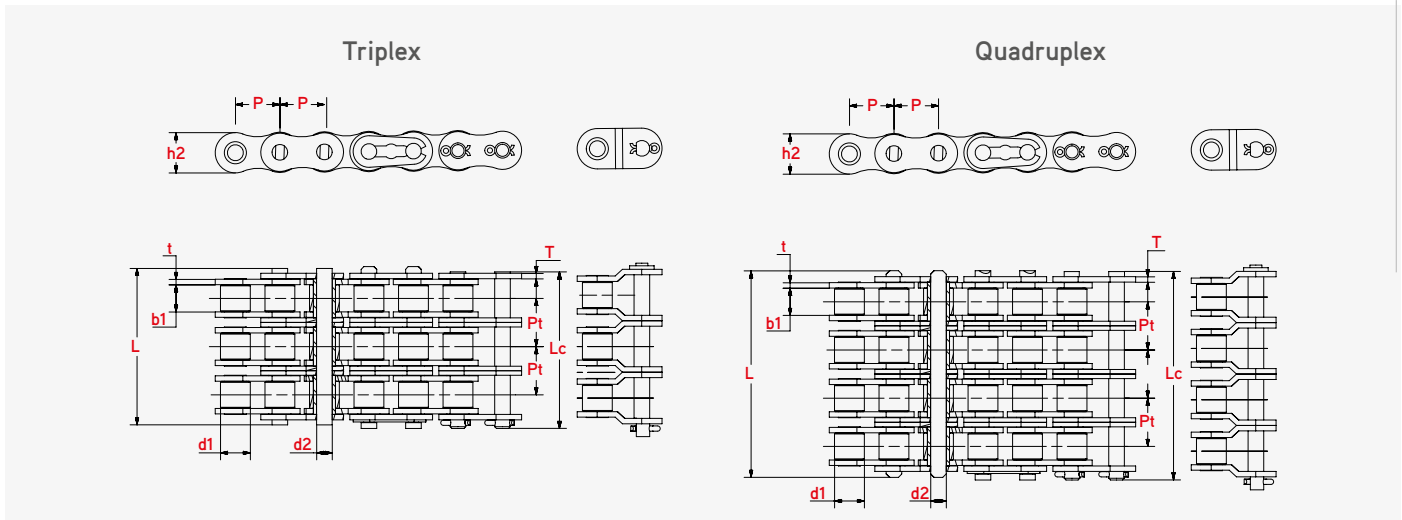
ISO Series DIN ISO 606 (DIN 8187)



DIN/ISO No.	Material	Pitch	Roller diameter	Width between Plates	Pin diameter	Pin length		Inner Plate height	Traverse pitch Plate thickness	Minimum Tensile Strength	Weight per meter
		P mm	d1 max mm	b1 min mm	d2 max mm	L max mm	Lc max mm	h2 max mm	t/T max mm	Q min KN	q kg/m
Simplex											
04B-1	CS, NP, DT, SS	6,00	4,00	2,80	1,85	6,80	7,80	5,00	0,60	3,00	0,11
05B-1	CS, NP, DT, SS	8,00	5,00	3,00	2,31	8,20	8,90	7,10	0,80	5,00	0,20
*06B-1	CS, NP, DT, SS	9,525	6,35	5,72	3,28	13,15	14,10	8,20	1,30	9,00	0,41
08B-1	CS, NP, DT, SS	12,70	8,51	7,75	4,45	16,70	18,20	11,80	1,60	18,00	0,69
10B-1	CS, NP, DT, SS	15,875	10,16	9,65	5,08	19,50	20,90	14,70	1,70	22,40	0,93
12B-1	CS, NP, DT, SS	19,05	12,07	11,68	5,72	22,50	24,20	16,00	1,85	29,00	1,15
16B-1	CS, NP, DT, SS	25,40	15,88	17,02	8,28	36,10	37,40	21,00	4,15/3,1	60,00	2,71
20B-1	CS, NP, DT, SS	31,75	19,05	19,56	10,19	41,30	45,00	26,40	4,5/3,5	95,00	3,70
24B-1	CS, DT, SS	38,10	25,40	25,40	14,63	53,40	57,80	33,20	6,0/4,8	160,00	7,10
28B-1	CS, DT, SS	44,45	27,94	30,99	15,90	65,10	69,50	36,70	7,5/6,0	200,00	8,50
32B-1	CS, SS	50,80	29,21	30,99	17,81	66,00	71,00	42,00	7,0/6,0	250,00	10,25
40B-1	CS, SS	63,50	39,37	38,10	22,89	82,20	89,20	52,96	8,5/8,0	355,00	16,35
48B-1	CS, SS	76,20	48,26	45,72	29,24	99,10	107,00	63,80	12,0/10,0	560,00	25,00
Duplex											
05B-2	CS, NP, DT, SS	8,00	5,00	3,00	2,31	13,90	14,50	7,10	0,80	7,80	0,33
*06B-2	CS, NP, DT, SS	9,525	6,35	5,72	3,28	23,40	24,40	8,20	1,30	16,90	0,77
08B-2	CS, NP, DT, SS	12,70	8,51	7,75	4,45	31,00	32,20	11,80	1,60	32,00	1,34
10B-2	CS, NP, DT, SS	15,875	10,16	9,65	5,08	36,10	37,50	14,70	1,70	44,50	1,84
12B-2	CS, NP, DT, SS	19,05	12,07	11,68	5,72	42,00	43,60	16,00	1,85	57,80	2,31
16B-2	CS, NP, DT, SS	25,40	15,88	17,02	8,28	68,00	69,30	21,00	4,15/3,1	106,00	5,42
20B-2	CS, NP, DT, SS	31,75	19,05	19,56	10,19	77,80	81,50	26,40	4,5/3,5	170,00	7,20
24B-2	CS, DT, SS	38,10	25,40	25,40	14,63	101,70	106,20	33,20	6,0/4,8	280,00	13,40
28B-2	CS, DT, SS	44,45	27,94	30,99	15,90	124,60	129,10	36,70	7,5/6,0	360,00	16,60
32B-2	CS, SS	50,80	29,21	30,99	17,81	124,60	129,60	42,00	7,0/6,0	450,00	21,00
40B-2	CS, SS	63,50	39,37	38,10	22,89	154,50	161,50	52,96	8,5/8,0	630,00	32,00
48B-2	CS, SS	76,20	48,26	45,72	29,24	190,40	198,20	63,80	12,0/10,0	1.000,00	50,00

CS CARBON STEEL
DT DELTA-TONE
NP NICKELLED PLATED
SS STAINLESS STEEL

ISO Series DIN ISO 606 (DIN 8187)

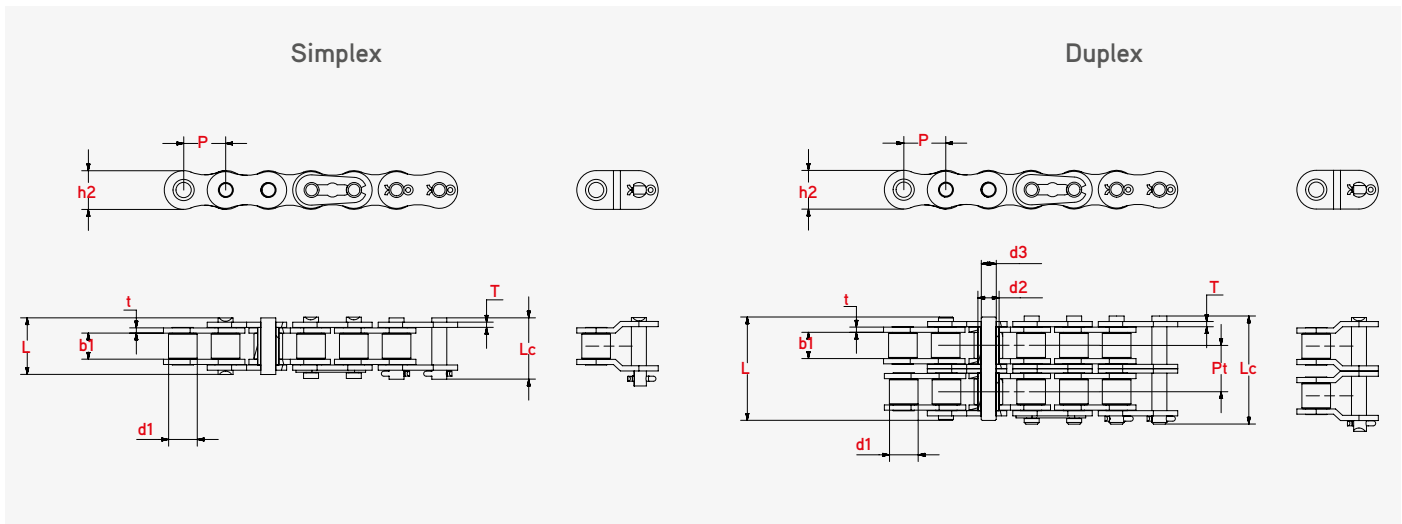


DIN/ISO No.	Material	Pitch	Roller diameter	Width between Plates	Pin diameter	Pin length		Inner Plate height	Traverse pitch Plate thickness	Minimum Tensile Strength	Weight per meter
		P mm	d1 max mm	b1 min mm	d2 max mm	L max mm	Lc max mm	h2 max mm	t/T max mm	Q min KN	q kg/m
Triplex											
05B-3	CS, NP, DT, SS	8,00	5,00	3,00	2,31	19,50	20,20	7,10	0,80	11,10	0,48
*06B-3	CS, NP, DT, SS	9,525	6,35	5,72	3,28	33,50	34,60	8,20	1,30	24,90	1,16
08B-3	CS, NP, DT, SS	12,70	8,51	7,75	4,45	45,10	46,10	11,80	1,60	47,50	2,03
10B-3	CS, NP, DT, SS	15,875	10,16	9,65	5,08	52,70	54,10	14,70	1,70	66,70	2,77
12B-3	CS, NP, DT, SS	19,05	12,07	11,68	5,72	61,50	63,10	16,00	1,85	86,70	3,46
16B-3	CS, NP, DT, SS	25,40	15,88	17,02	8,28	99,80	101,20	21,00	4,15/3,1	160,00	8,13
20B-3	CS, NP, DT, SS	31,75	19,05	19,56	10,19	114,20	117,90	26,40	4,5/3,5	250,00	10,82
24B-3	CS, DT, SS	38,10	25,40	25,40	14,63	150,10	154,60	33,20	6,0/4,8	425,00	20,10
28B-3	CS, DT, SS	44,45	27,94	30,99	15,90	184,20	188,70	36,70	7,5/6,0	530,00	24,92
32B-3	CS, SS	50,80	29,21	30,99	17,81	183,20	188,20	42,00	7,0/6,0	670,00	31,56
40B-3	CS, SS	63,50	39,37	38,10	22,89	226,80	233,80	52,96	8,5/8,0	950,00	48,10
48B-3	CS, SS	76,20	48,26	45,72	29,24	281,60	289,40	63,80	12,0/10,0	1.500,00	75,00
Quadruplex											
08B-4	CS, NP, DT, SS	12,70	8,51	7,75	4,45	58,30	66,10	11,80	1,60	65,85	2,72
10B-4	CS, NP, DT, SS	15,875	10,16	9,65	5,08	68,80	77,00	14,70	1,70	88,00	3,47
12B-4	CS, NP, DT, SS	19,05	12,07	11,68	5,72	81,00	99,20	16,00	1,85	115,80	4,78
16B-4	CS, NP, DT, SS	25,40	15,88	17,02	8,28	132,00	142,80	21,00	4,15/3,1	222,00	10,39
20B-4	CS, NP, DT, SS	31,75	19,05	19,56	10,19	150,70	154,30	26,40	4,5/3,5	330,00	14,44

CS CARBON STEEL
DT DELTA-TONE
NP NICKELLED PLATED
SS STAINLESS STEEL



ASA Series DIN ISO 606 (DIN 8188)

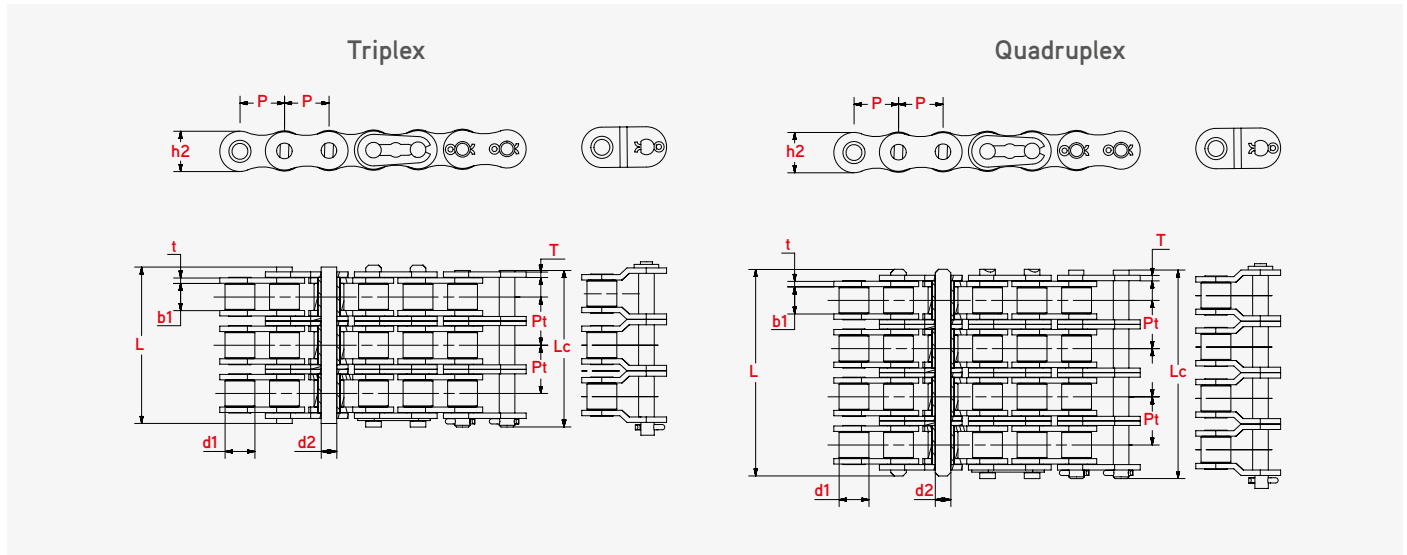


DIN/ISO No.	ANSI No.	Material	Pitch	Roller diameter	Width between Plates	Pin diameter	Pin length		Inner Plate height	Traverse pitch Plate thickness	Minimum Tensile Strength	Weight per meter
			P mm	d1 max mm	b1 min mm	d2 max mm	L max mm	Lc max mm	h2 max mm	t/T max mm	Q min KN	q kg/m
Simplex												
*04A-1	*25	CS, DT, SS	6,35	3,30	3,18	2,31	7,90	8,40	6,00	0,80	3,50	0,15
*06A-1	*35	CS, DT, SS	9,525	5,08	4,77	3,58	12,40	13,17	9,00	1,30	7,90	0,33
08A-1	40	CS, DT, SS	12,70	7,95	7,85	3,96	16,60	17,80	12,00	1,50	14,10	0,62
10A-1	50	CS, DT, SS	15,875	10,16	9,40	5,08	20,70	22,20	15,09	2,03	22,20	1,02
12A-1	60	CS, DT, SS	19,05	11,91	12,57	5,94	25,90	27,70	18,00	2,42	31,80	1,50
16A-1	80	CS, DT, SS	25,40	15,88	15,75	7,92	32,70	35,00	24,00	3,25	56,70	2,60
20A-1	100	CS, DT, SS	31,75	19,05	18,90	9,53	40,40	44,70	30,00	4,00	88,50	3,91
24A-1	120	CS, DT, SS	38,10	22,23	25,22	11,10	50,30	54,30	35,70	4,80	127,00	5,62
28A-1	140	CS, SS	44,45	25,40	25,22	12,70	54,40	59,00	41,00	5,60	172,40	7,50
32A-1	160	CS, SS	50,80	28,58	31,55	14,27	64,80	69,60	47,80	6,40	226,80	10,10
36A-1	180	CS, SS	57,15	35,71	35,48	17,46	72,80	78,60	53,60	7,20	280,20	13,45
40A-1	200	CS, SS	63,50	39,68	37,85	19,85	80,30	87,20	60,00	8,00	353,80	16,15
48A-1	240	CS, SS	76,20	47,63	47,35	23,81	95,50	103,00	72,39	9,50	510,30	23,20
Duplex												
*04A-2	*25-2	CS, DT, SS	6,35	3,30	3,18	2,31	14,50	15,00	6,00	0,80	7,00	0,28
*06A-2	*35-2	CS, DT, SS	9,525	5,08	4,77	3,58	22,50	23,30	9,00	1,30	15,80	0,63
08A-2	40-2	CS, DT, SS	12,70	7,95	7,85	3,96	31,00	32,20	12,00	1,50	28,20	1,12
10A-2	50-2	CS, DT, SS	15,875	10,16	9,40	5,08	38,90	40,40	15,09	2,03	44,40	2,00
12A-2	60-2	CS, DT, SS	19,05	11,91	12,57	5,94	48,80	50,50	18,00	2,42	63,60	2,92
16A-2	80-2	CS, DT, SS	25,40	15,88	15,75	7,92	62,70	64,30	24,00	3,25	113,40	5,15
20A-2	100-2	CS, DT, SS	31,75	19,05	18,90	9,53	76,40	80,50	30,00	4,00	177,00	7,80
24A-2	120-2	CS, DT, SS	38,10	22,23	25,22	11,10	95,80	99,70	35,70	4,80	254,00	11,70
28A-2	140-2	CS, SS	44,45	25,40	25,22	12,70	103,30	107,90	41,00	5,60	344,80	15,14
32A-2	160-2	CS, SS	50,80	28,58	31,55	14,27	123,30	128,10	47,80	6,40	453,60	20,14
36A-2	180-2	CS, SS	57,15	35,71	35,48	17,46	138,60	144,40	53,60	7,20	560,50	29,22
40A-2	200-2	CS, SS	63,50	39,68	37,85	19,85	151,90	158,80	60,00	8,00	707,60	32,24
48A-2	240-2	CS, SS	76,20	47,63	47,35	23,81	183,40	190,80	72,39	9,50	1.020,60	45,23

* d1 indicates the external diameter of the bushing.

CS CARBON STEEL
DT DELTA-TONE
NP NICKELLED PLATED
SS STAINLESS STEEL

ASA Series DIN ISO 606 (DIN 8188)



DIN/ISO No.	ANSI No.	Material	Pitch	Roller diameter	Width between Plates	Pin diameter	Pin length		Inner Plate height	Traverse pitch Plate thickness	Minimum Tensile Strength	Weight per meter
			P mm	d1 max mm	b1 min mm	d2 max mm	L max mm	Lc max mm	h2 max mm	t/T max mm	Q min KN	q kg/m
Triplex												
*04A-3	*25-3	CS, DT, SS	6,35	3,30	3,18	2,31	21,00	21,50	6,00	0,80	10,50	0,44
*06A-3	*35-3	CS, DT, SS	9,525	5,08	4,77	3,58	32,70	33,50	9,00	1,30	23,70	1,05
08A-3	40-3	CS, DT, SS	12,70	7,95	7,85	3,96	45,40	46,60	12,00	1,50	42,30	1,90
10A-3	50-3	CS, DT, SS	15,875	10,16	9,40	5,08	57,00	58,50	15,09	2,03	66,60	3,09
12A-3	60-3	CS, DT, SS	19,05	11,91	12,57	5,94	71,50	73,30	18,00	2,42	95,40	4,54
16A-3	80-3	CS, DT, SS	25,40	15,88	15,75	7,92	91,70	93,60	24,00	3,25	170,10	7,89
20A-3	100-3	CS, DT, SS	31,75	19,05	18,90	9,53	112,20	116,30	30,00	4,00	265,50	11,77
24A-3	120-3	CS, DT, SS	38,10	22,23	25,22	11,10	141,40	145,20	35,70	4,80	381,00	17,53
28A-3	140-3	CS, SS	44,45	25,40	25,22	12,70	152,20	156,80	41,00	5,60	517,20	22,20
32A-3	160-3	CS, SS	50,80	28,58	31,55	14,27	181,80	186,60	47,80	6,40	680,40	30,02
36A-3	180-3	CS, SS	57,15	35,71	35,48	17,46	204,40	210,20	53,60	7,20	840,70	38,22
40A-3	200-3	CS, SS	63,50	39,68	37,85	19,85	223,50	230,40	60,00	8,00	1.061,40	49,03
48A-3	240-3	CS, SS	76,20	47,63	47,35	23,81	271,30	278,60	72,39	9,50	1.530,90	71,60
Quadruplex												
08A-4	40-4	CS, DT, SS	12,70	7,95	7,85	3,96	59,70	61,00	12,00	1,50	55,20	2,57
10A-4	50-4	CS, DT, SS	15,875	10,16	9,40	5,08	75,10	76,60	15,09	2,03	87,20	4,30
12A-4	60-4	CS, DT, SS	19,05	11,91	12,57	5,94	94,50	96,10	18,00	2,42	127,20	6,21
16A-4	80-4	CS, DT, SS	25,40	15,88	15,75	7,92	121,00	124,40	24,00	3,25	222,40	10,37
20A-4	100-4	CS, DT, SS	31,75	19,05	18,90	9,53	147,8	152,10	30,00	4,00	389,40	15,60

* d1 indicates the external diameter of the bushing.

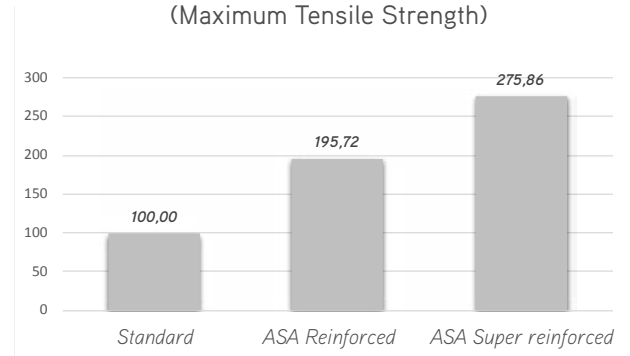
CS CARBON STEEL
DT DELTA-TONE
NP NICKELLED PLATED
SS STAINLESS STEEL

ASA HEAVY SERIES DIN ISO 606 (DIN 8188)

IRIS offers ASA-standard roller chain series to meet a variety of load-driving requirements.

- ✓ **ASA Standard**
With thicker plates and shot peening for higher resistance
- ✓ **ASA Heavy Series**
Provides outstanding resistance to shock and wear due to their extra thick plates and heat-treated pins
- ✓ **ASA Super Heavy Series**
Are extraordinarily-resistant to shock load and offer excellent tensile strength thanks to their highest grade alloy steel and heat-treated components

ASA Standard 80 Roller Chain Comparison
(Maximum Tensile Strength)



ISO REINFORCED

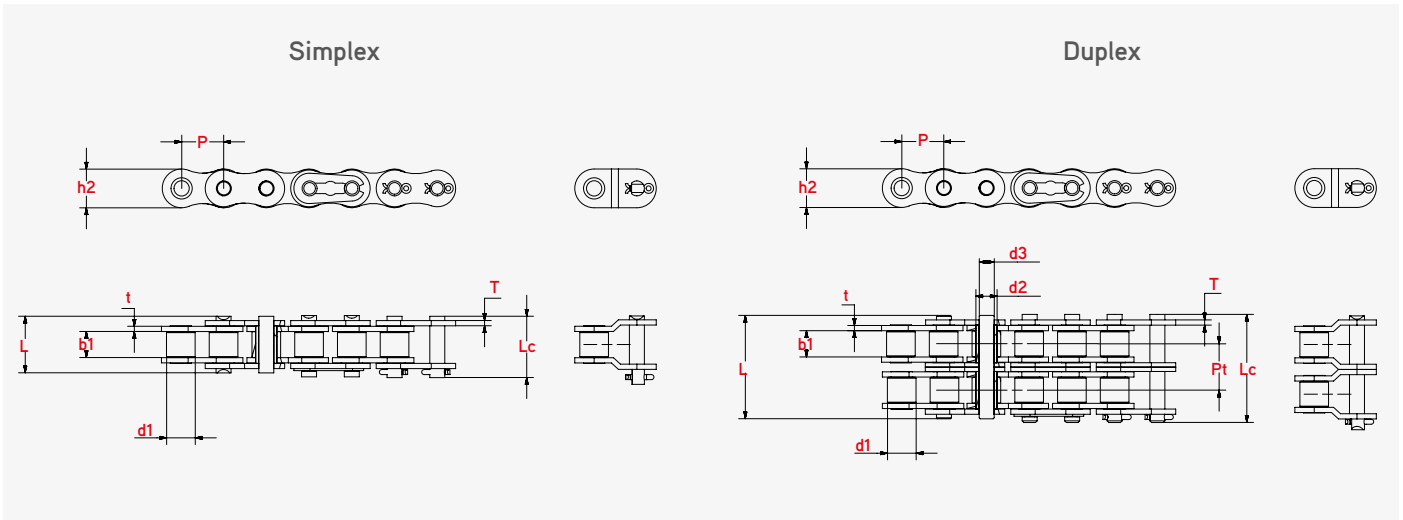
DIN/ISO No.	Material	Pitch	Roller diameter	Width between Plates	Pin diameter	Pin length		Inner Plate height	Traverse pitch Plate thickness	Minimum Tensile Strength	Weight per meter
		P mm	d1 max mm	b1 min mm	d2 max mm	L max mm	Lc max mm	h2 max mm	t/T max mm	Q min KN	q kg/m
12B-1 H	CS, NP, DT, SS	19,05	12,07	11,70	6,10	25,00	26,60	16,00	2,40	40	1,45
16B-1 H	CS, NP, DT, SS	25,40	15,88	17,02	8,90	35,70	38,90	24,10	3/4	80	3,11
20B-1 H	CS, NP, DT, SS	37,75	19,05	19,56	10,19	47,10	51,00	26,30	4,8/6	95	4,52
24B-1 H	CS, NP, DT, SS	38,10	25,40	25,40	14,63	58,60	63,40	36,20	7,5/6	225	9,00

ASA REINFORCED

DIN/ISO No.	ANSI No.	Material	Pitch	Roller diameter	Width between Plates	Pin diameter	Pin length		Inner Plate height	Traverse pitch Plate thickness	Minimum Tensile Strength	Weight per meter
			P mm	d1 max mm	b1 min mm	d2 max mm	L max mm	Lc max mm	h2 max mm	t/T max mm	Q min KN	q kg/m
Simplex												
08A-1 H	40H	CS, DT, SS	12,70	7,95	7,85	3,96	18,80	19,90	12,00	2,03	14,10	0,82
10A-1 H	50H	CS, DT, SS	15,875	10,16	9,40	5,08	22,10	23,40	15,09	2,42	22,20	1,25
12A-1 H	60H	CS, DT, SS	19,05	11,91	12,57	5,94	29,20	31,00	18,00	3,25	31,80	1,87
16A-1 H	80H	CS, DT, SS	25,40	15,88	15,75	7,92	36,20	37,70	24,00	4,00	56,70	3,10
20A-1 H	100H	CS, DT, SS	31,75	19,05	18,90	9,53	43,60	46,90	30,00	4,80	88,50	4,52
24A-1 H	120H	CS, DT, SS	38,10	22,23	25,22	11,10	53,50	57,50	35,70	5,60	127,00	6,60
Duplex												
12A-2 H	60H-2	CS, DT, SS	19,05	11,91	12,57	5,94	55,30	57,10	18,00	3,25	63,60	3,71
16A-2 H	80H-2	CS, DT, SS	25,40	15,88	15,75	7,92	68,80	70,30	24,00	4,00	113,40	6,15
20A-2 H	100H-2	CS, DT, SS	31,75	19,05	18,90	9,53	82,70	86,00	30,00	4,80	177,00	9,03
24A-2 H	120H-2	CS, DT, SS	38,10	22,23	25,22	11,10	102,40	106,40	35,70	5,60	254,00	13,13
Triplex												
12A-3 H	60H-3	CS, DT, SS	19,05	11,91	12,57	5,94	81,40	83,20	18,00	3,25	95,00	5,54
16A-3 H	80H-3	CS, DT, SS	25,40	15,88	15,75	7,92	101,40	102,90	24,00	4,00	170,10	9,42
20A-3 H	100H-3	CS, DT, SS	31,75	19,05	18,90	9,53	121,80	125,10	30,00	4,80	265,50	12,96
24A-3 H	120H-3	CS, DT, SS	38,10	22,23	25,22	11,10	151,20	155,20	35,70	5,60	381,00	19,64

CS CARBON STEEL
DT DELTA-TONE
NP NICKELLED PLATED
SS STAINLESS STEEL

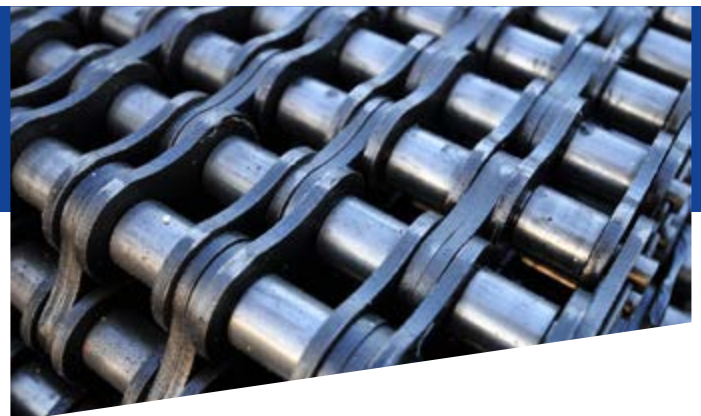
ASA super reinforced Serie DIN ISO 606 (DIN 8188)



ASA SUPER REINFORCED

DIN/ISO No.	ANSI No.	Material	Pitch	Roller diameter	Width between Plates	Pin diameter	Pin lenght		Inner Plate height	Traverse pitch Plate thickness	Minimum Tensile Strenght	Weight per meter
			P mm	d1 max mm	b1 min mm	d2 max mm	L max mm	Lc max mm	h2 max mm	t/T max mm	Q min KN	q kg/m
Simplex												
10A-1 SH	50SH	CS, DT	15,875	10,16	9,40	5,08	22,10	23,40	15,09	2,40	30,40	1,23
12A-1 SH	60SH	CS, DT	19,05	11,91	12,57	5,96	29,20	31,60	18,10	3,20	44,10	1,87
16A-1 SH	80SH	CS, DT	25,40	15,88	15,75	7,94	36,20	37,70	24,13	4,00	80	3,10
20A-1 SH	100SH	CS, DT	31,75	19,05	18,90	9,54	43,60	46,90	30,17	4,70	133,4	4,52
24A-1 SH	120SH	CS, DT	38,10	22,23	25,22	11,11	53,50	57,50	36,20	5,60	158,20	6,60

CS CARBON STEEL
DT DELTA-TONE



IRIS non standard Series

IRIS Non Standard Chains are solutions purposely designed for a variety of specific needs and requirements suggested by our clients. Some of these are the outcome of customizations to our motorcycle chains.

Each chain is as distinct on its specifications as its intended application.

SERVICES

Tailored designs at specific needs and requests.

Many references **available in stock**.

Specific product on request.

Matched pairs on request for chains working in parallel.

Chains of any length.

Technical assistance.

DIN/ISO No.	Material	Pitch	Roller diameter	Width between Plates	Pin diameter	Pin length		Inner Plate height	Traverse pitch Plate thickness	Minimum Tensile Strength	Weight per meter
		P mm	d1 max mm	b1 min mm	d2 max mm	L max mm	Lc max mm	h2 max mm	t/T max mm	Q min KN	q kg/m
Simplex											
081-1	CS, NP, DT, SS	12,70	7,75	3,30	3,64	9,30	10,80	9,80	1,00	8,00	0,38
083-1	CS, NP, DT, SS	12,70	7,75	4,88	4,09	12,90	14,40	10,20	1,30	11,60	0,45
084-1	CS, NP, DT, SS	12,70	7,75	4,88	4,09	14,80	16,80	10,20	1,80	15,60	0,51
085-1	CS, NP, DT, SS	12,70	7,75	6,25	3,60	14,00	15,50	10,20	1,30	6,70	0,41
415	CS, NP, DT, SS	12,70	7,77	4,76	3,60	11,00	12,40	9,70	1,00	6,86	0,32
415H	CS, NP, DT, SS	12,70	7,77	4,76	3,96	13,10	14,50	12,00	1,50	14,40	0,55
423	CS, NP, DT, SS	12,70	8,51	6,40	4,45	15,60	17,10	12,40	1,70	19,60	0,71
420	CS, NP, DT, SS	12,70	7,77	6,25	3,96	14,70	16,10	12,00	1,50	16,00	0,55
428H	CS, NP, DT, SS	12,70	8,51	7,85	4,45	18,80	19,90	11,80	2,03	20,60	0,79
520	CS, NP, DT, SS	12,70	10,16	6,25	5,08	17,50	19,00	15,09	2,03	26,50	0,89
520H	CS, NP, DT, SS	12,70	10,16	6,25	5,08	19,30	20,80	15,09	2,42	26,50	1,10
5R	CS, NP, DT, SS	12,70	7,75	5,00	3,96	11,80	13,30	10,10	1,3/1,0	11,60	0,46
12BV	CS, NP, DT, SS	19,05	12,07	11,68	6,10	24,50	26,90	16,00	2,40	40,00	1,45
229	CS, NP, DT, SS	19,05	12,07	13,30	6,10	28,80	31,80	17,00	3,00	35,00	1,61
517	CS, NP, DT, SS	19,05	12,07	11,68	6,10	24,50	26,90	18,10	2,40	44,00	1,55
305	CS, NP, DT, SS	25,40	15,88	13,05	8,26	30,90	32,20	20,50	3,6/3,0	50,00	2,37

CS CARBON STEEL
DT DELTA-TONE
NP NICKELLED PLATED
SS STAINLESS STEEL



Standard roller chains with straight side plates

These roller chains are designed and manufactured to the same standards as all IRIS standard roller chains, and have straight side plates which allow rollers to convey higher loads directly on the side plate.

Roller chains with straight side plates are thus used in conveying systems of high-demanding industries like the automotive or automation, or for activities such as

pallet transportation. They provide a long service life and outstanding wear resistance for all applications.

Our standard lubrication ensures resistance to a temperature range from -5 °C to +120 °C; a special lube can be applied at request for applications with temperatures from -30 °C to +250 °C.

SERVICES

Special lubricant on request for extreme temperature conditions.

Many references **available in stock.**

Specific chains upon customer request.

Matched pairs on request for chains working in parallel.

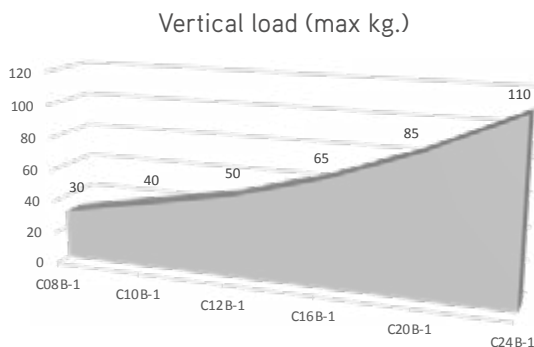
Chains of any length.

Technical assistance.

HIGHLIGHTS

- ✓ All IRIS Standard roller chains meet or exceed the requirements of ISO 606.
- ✓ Initial stretching contributes to a higher fatigue strength.
- ✓ All components are heat-treated according to their size and application.
- ✓ Shot peening is applied to precision plates for higher resistance.
- ✓ Pins' surface is smooth and wear-resistant.
- ✓ Bushes are perfectly cylindrical.
- ✓ Special initial lubricant is applied to increase resistance.

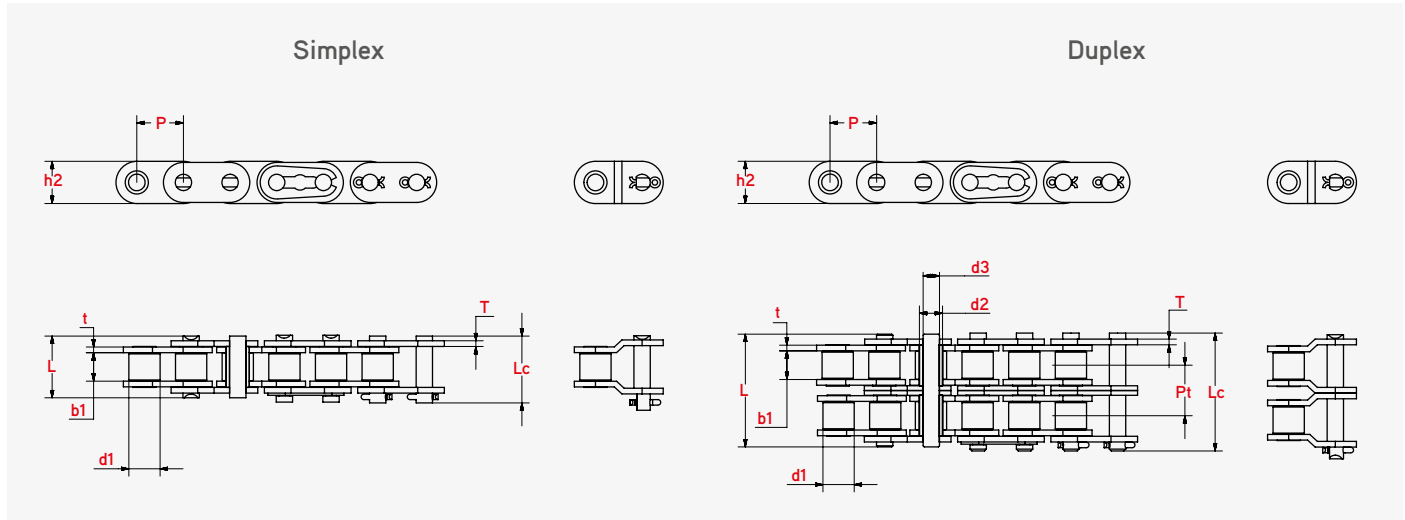
Roller chains with straight side plates are able to convey loads vertically. Each reference can convey the following amount of vertical load:



Industries

- ✓ Industrial handling
- ✓ End of line food packaging machinery
- ✓ Pharmaceutical sector
- ✓ Confectionery production plants
- ✓ Pasta production and bakery machinery
- ✓ Painting systems
- ✓ Wood industry machinery
- ✓ Ceramic systems
- ✓ Many more industrial applications

ISO straight plate Serie DIN ISO 606 (DIN 8187)



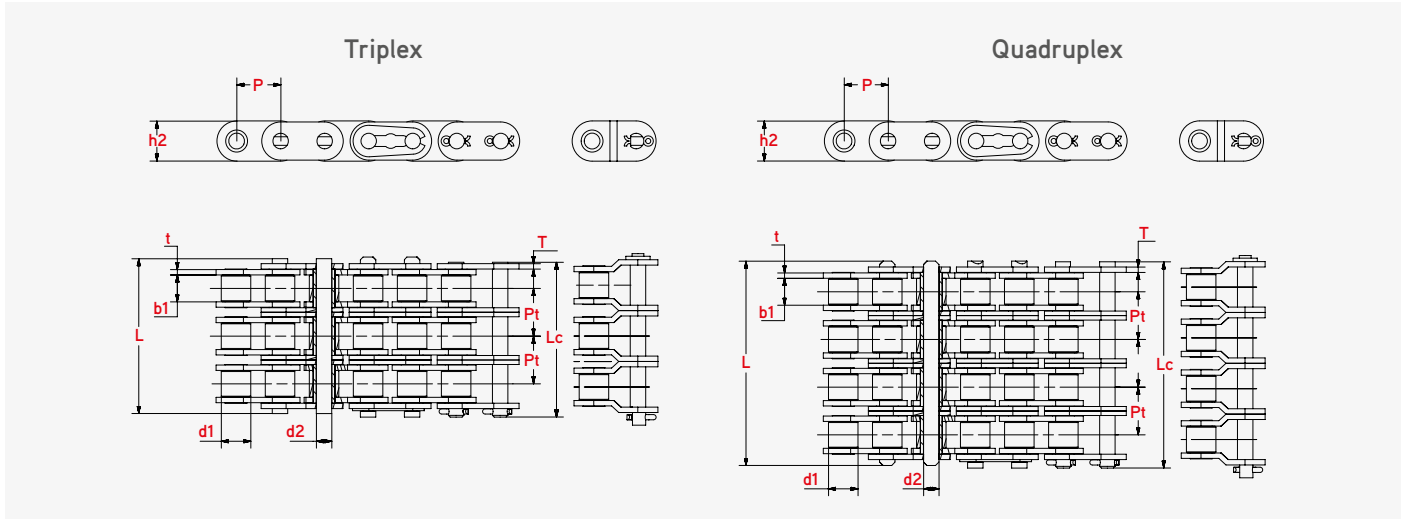
DIN/ISO No.	Material	Pitch	Roller diameter	Width between Plates	Pin diameter	Pin lenght		Inner Plate height	Traverse pitch Plate thickness	Minimum Tensile Strenght	Weight per meter
		P mm	d1 max mm	b1 min mm	d2 max mm	L max mm	Lc max mm	h2 max mm	t/T max mm	Q min KN	q kg/m
Simplex											
C08B-1	CS, NP, DT, SS	12,70	8,51	7,75	4,45	16,70	18,20	11,80	1,60	18,00	0,80
C10B-1	CS, NP, DT, SS	15,875	10,16	9,65	5,08	19,50	20,90	14,70	1,70	22,40	1,06
C12B-1	CS, NP, DT, SS	19,05	12,07	11,68	5,72	22,50	25,20	16,00	1,85	29,00	1,32
C16B-1	CS, NP, DT, SS	25,40	15,88	17,02	8,28	36,10	39,10	21,00	4,15/3,1	60,00	3,08
*C16B-1	CS, DT, SS	25,40	15,88	17,02	8,28	36,10	39,10	24,00	4,15/3,1	60,00	3,49
C20B-1	CS, NP, DT, SS	31,75	19,05	19,56	10,19	41,30	45,00	26,40	4,5/3,5	95,00	4,16
C24B-1	CS, DT, SS	38,10	25,40	25,40	14,63	53,40	57,80	33,20	6,0/4,8	160,00	7,47
C28B-1	CS, DT, SS	44,45	27,94	30,99	15,90	65,10	69,50	36,70	7,5/6,0	200,00	9,90
C32B-1	CS, SS	50,80	29,21	30,99	17,81	66,00	71,00	42,00	7,0/6,0	250,00	10,45
Duplex											
C08B-2	CS, NP, DT, SS	12,70	8,51	7,75	4,45	31,20	32,20	11,80	1,60	32,00	1,45
C10B-2	CS, NP, DT, SS	15,875	10,16	9,65	5,08	36,10	37,50	14,70	1,70	44,50	2,00
C12B-2	CS, NP, DT, SS	19,05	12,07	11,68	5,72	42,00	44,70	16,00	1,85	57,80	2,62
CC16B-2	CS, NP, DT, SS	25,40	15,88	17,02	8,28	68,00	71,00	21,00	4,15/3,1	106,00	6,10
*C16B-2	CS, NP, DT, SS	25,40	15,88	17,02	8,28	68,00	71,00	24,00	4,15/3,1	106,00	6,92
C20B-2	CS, NP, DT, SS	31,75	19,05	19,56	10,19	77,80	81,50	26,40	4,5/3,5	170,00	8,23
C24B-2	CS, DT, SS	38,10	25,40	25,40	14,63	101,70	106,20	33,20	6,0/4,8	280,00	14,77
C28B-2	CS, DT, SS	44,45	27,94	30,99	15,90	124,60	129,10	36,70	7,5/6,0	360,00	19,82
C32B-2	CS, SS	50,80	29,21	30,99	17,81	124,60	129,60	42,00	7,0/6,0	450,00	20,94

* h2=24mm.

- CS CARBON STEEL
- DT DELTA-TONE
- NP NICKELLED PLATED
- SS STAINLESS STEEL



ISO straight plate Serie DIN ISO 606 (DIN 8187)



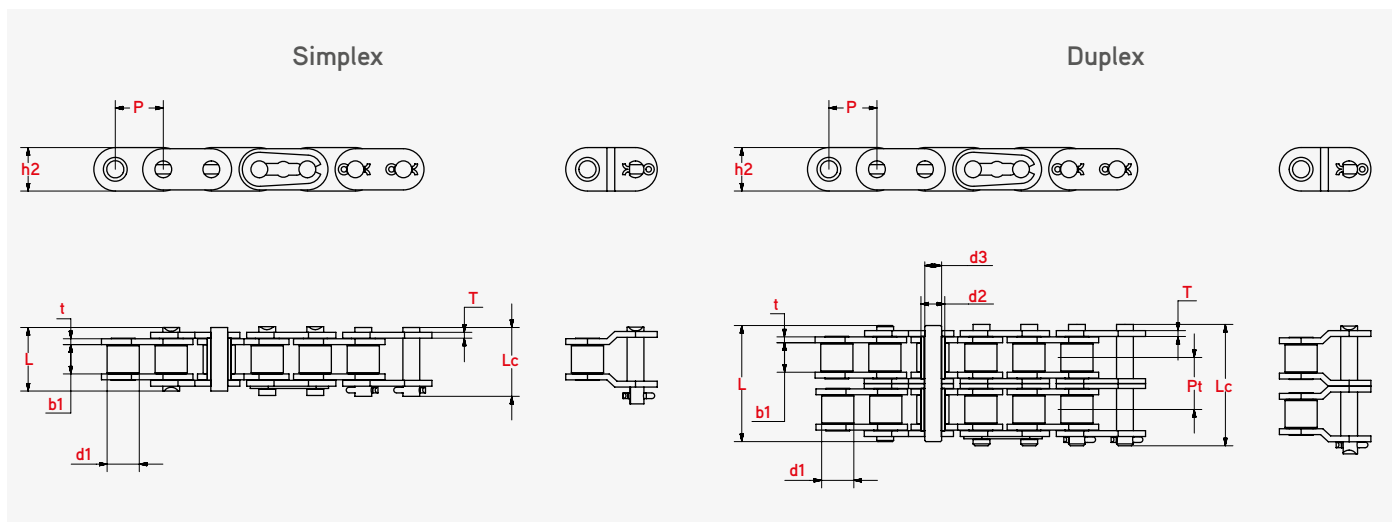
DIN/ISO No.	Material	Pitch	Roller diameter	Width between Plates	Pin diameter	Pin length		Inner Plate height	Traverse pitch Plate thickness	Minimum Tensile Strength	Weight per meter
		P mm	d1 max mm	b1 min mm	d2 max mm	L max mm	Lc max mm	h2 max mm	t/T max mm	Q min KN	q kg/m
Triplex											
C08B-3	CS, NP, DT, SS	12,70	8,51	7,75	4,45	45,10	46,10	11,80	1,60	47,50	2,10
C10B-3	CS, NP, DT, SS	15,875	10,16	9,65	5,08	52,70	54,10	14,70	1,70	66,70	2,87
C12B-3	CS, NP, DT, SS	19,05	12,07	11,68	5,72	61,50	64,20	16,00	1,85	86,70	3,89
C16B-3	CS, NP, DT, SS	25,40	15,88	17,02	8,28	99,80	102,90	21,00	4,15/3,1	160,00	9,12
*C16B-3	CS, NP, DT, SS	25,40	15,88	17,02	8,28	99,80	102,90	24,00	4,15/3,1	160,00	10,34
C20B-3	CS, NP, DT, SS	31,75	19,05	19,56	10,19	114,20	117,90	26,40	4,5/3,5	250,00	11,34
C24B-3	CS, DT, SS	38,10	25,40	25,40	14,63	150,10	154,60	33,20	6,0/4,8	425,00	22,10
C28B-3	CS, DT, SS	44,45	27,94	30,99	15,90	184,20	188,70	36,70	7,5/6,0	530,00	29,64
C32B-3	CS, SS	50,80	29,21	30,99	17,81	183,20	188,20	42,00	7,0/6,0	670,00	31,27
Quadruplex											
C08B-4	CS, NP, DT, SS	12,70	8,51	7,75	4,45	58,30	66,10	11,80	1,60	65,85	2,80
C10B-4	CS, NP, DT, SS	15,875	10,16	9,65	5,08	68,80	77,00	14,70	1,70	88,00	3,60
C12B-4	CS, NP, DT, SS	19,05	12,07	11,68	5,72	81,00	99,20	16,00	1,85	115,80	5,35
C16B-4	CS, NP, DT, SS	25,40	15,88	17,02	8,28	132,00	142,80	21,00	4,15/3,1	222,00	11,63

* h2=24mm.

CS CARBON STEEL
DT DELTA-TONE
NP NICKELLED PLATED
SS STAINLESS STEEL



ASA straight mesh Serie DIN ISO 606 (DIN 8188)

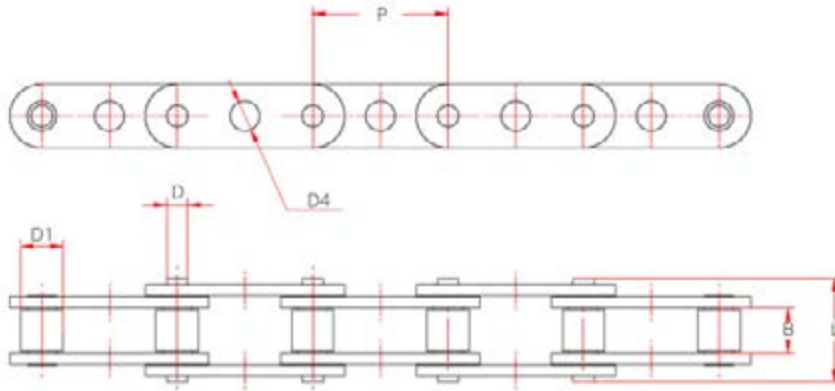


DIN/ISO No.	ANSI No.	Material	Pitch	Roller diameter	Width between Plates	Pin diameter	Pin length		Inner Plate height	Traverse pitch Plate thickness	Minimum Tensile Strength	Weight per meter
			P mm	d1 max mm	b1 min mm	d2 max mm	L max mm	Lc max mm	h2 max mm	t/T max mm	Q min KN	q kg/m
Simplex												
C08A-1	C40	CS, DT, SS	12,70	7,95	7,85	3,96	16,60	18,80	12,00	1,50	14,10	0,73
C10A-1	C50	CS, DT, SS	15,875	10,16	9,40	5,08	20,70	23,30	15,09	2,03	22,20	1,23
C12A-1	C60	CS, DT, SS	19,05	11,91	12,57	5,94	25,90	28,30	18,00	2,42	31,80	1,81
C16A-1	C80	CS, DT, SS	25,40	15,88	15,75	7,92	32,70	36,50	24,00	3,25	56,70	3,09
C20A-1	C100	CS, DT, SS	31,75	19,05	18,90	9,53	40,40	44,70	30,00	4,00	88,50	4,56
Duplex												
C08A-2	C40-2	CS, DT, SS	12,70	7,95	7,85	3,96	31,00	33,20	12,00	1,50	28,20	1,43
C10A-2	C50-2	CS, DT, SS	15,875	10,16	9,40	5,08	38,90	41,40	15,09	2,03	44,40	2,42
C12A-2	C60-2	CS, DT, SS	19,05	11,91	12,57	5,94	48,80	51,10	18,00	2,42	63,60	3,58
C16A-2	C80-2	CS, DT, SS	25,40	15,88	15,75	7,92	62,70	65,80	24,00	3,25	113,40	6,12
C20A-2	C100-2	CS, DT, SS	31,75	19,05	18,90	9,53	76,40	80,50	30,00	4,00	177,00	9,08
Triplex												
C08A-3	C40-3	CS, DT, SS	12,70	7,95	7,85	3,96	45,40	47,60	12,00	1,50	42,30	2,14
C10A-3	C50-3	CS, DT, SS	15,875	10,16	9,40	5,08	57,00	59,50	15,09	2,03	66,60	3,62
C12A-3	C60-3	CS, DT, SS	19,05	11,91	12,57	5,94	71,50	73,90	18,00	2,42	95,40	5,36
C16A-3	C80-3	CS, DT, SS	25,40	15,88	15,75	7,92	91,70	95,10	24,00	3,25	170,10	9,10
C20A-3	C100-3	CS, DT, SS	31,75	19,05	18,90	9,53	112,20	116,30	30,00	4,00	265,50	13,60

CS CARBON STEEL
DT DELTA-TONE
SS STAINLESS STEEL

Standard roller chains

Double pitch roller chains



Double Pitch Roller Chains Straight Plates With Hole - A Series

DIN/ISO No.	ANSI No.	Pitch	Roller diameter	Width between Plates	Pin diameter	Pin length		Inner Plate height
		P mm	B min mm	D1 max mm	D max mm	D4 mm	L max mm	Lc max mm
C208A	C2040	25,40	7,85	7,95	3,96	4,1	16,6	18,8
C208AL	C2042			15,88				
C210A	C2050	31,75	9,40	10,16	5,08	7,1	20,7	23,3
C210AL	C2052			19,05				
C212A	C2060	38,10	12,57	11,91	5,94	8,3	25,9	28,3
C212AL	C2062			22,23				
C212AH	C2060H	38,10	12,57	11,91	5,94	8,3	29,2	31,6
C212AHL	C2062H			22,23				
C216A	C2080	50,80	15,75	15,88	7,92	8,3	32,7	36,5
C216AL	C2082			28,58				
C216AH	C2080H	50,80	15,75	15,88	7,92	8,3	36,2	39,4
C216AHL	C2082H			28,58				
C220A	C2100	63,50	18,90	19,05	9,53	10,1	40,4	44,7
C220AL	C2102			39,67				
C220AH	C2100H	63,50	18,90	19,05	9,53	10,1	43,6	46,9
C220AHL	C2102H			39,67				

CS CARBON STEEL
DT DELTA-TONE
SS STAINLESS STEEL



www.iris-chains.com

SINCE
1935

Polígono Ind. Erisono nº 1
20600 Eibar (Guipuzcoa) España

T +34 943 120 550
iris@iris-chains.com